



**L  
O  
U  
N  
G  
E  
R  
S**

## Bermuda

These loungers are designed for professional use and have already proven themselves thousands of times over. The covering with weather-proof KARATEX fabric is breathable and easy to maintain. Easy to clean with a garden hose and soapy water.


- **Frame made of extremely sturdy, thick-walled tube**
- **Folding joints with plastic bearings, no friction and no risk of corrosion**
- **Screws and nuts made of stainless steel**
- **Simple, space-saving storage**
- **Can support loads of up to 150 kg**

Neck cushion item number 4759, see page 105, not included in price.


### Bermuda Tilting Lounger

Made of steel. Reinforced cover in the seat area. Changeable cover.

Bed surface approx. 195 × 51 cm, weight: 13.9 kg.

**1**  frame color: as desired, cover color: as desired Item-No. **4720**


as above, but additionally galvanised and cavity-protected. Ideal for wet areas of indoor pools.

**2**  frame color: as desired, cover color: as desired Item-No. **4721**

### Bermuda Stacking Lounger

Made of aluminium. Head section adjustable.

Approx. dimensions: L × W × H: 195 × 65 × 98 cm.

**3**  frame color: as desired, cover color: as desired Item-No. **4710**

**Please specify the desired frame and cover color!**

Approx. 4 - 6 weeks delivery time.



Bermuda Tilting and Stacking Lounger, platinum with cover D74  
Neck cushion with cover D74













Bermuda Tilting and Stacking Lounger, platinum with cover D74  
Neck cushion with cover D74



Bermuda Tilting Lounger, white with cover D65

Prices for larger quantities upon request.

item description	properties	item number	unit price	from 3 pieces	from 10 pieces	from 25 pieces	from 50 pieces
<b>1</b> Bermuda Tilting Lounger	  	4720					
<b>2</b> Bermuda Tilting Lounger, galvanised	   	4721					
<b>3</b> Bermuda Stacking Lounger	  	4710					

All prices apply only to industry, trade, craft and commerce and are subject to VAT ex warehouse. No minimum quantity surcharge.



Bermuda Tilting Lounger, white with cover D86  
Neck cushion with cover D86

frame color:



white



platinum



coral



honey



ruby red

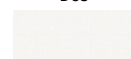
cover color:

D64



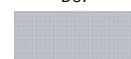
yellow/white stripes

D65



white

D67



lightgrey

D72



ruby red

D74



olive

D82



honey

D83



coral

D85



amber

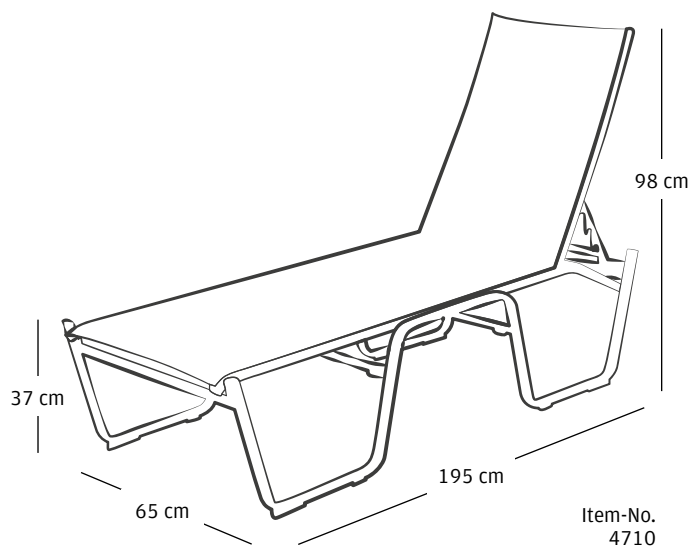
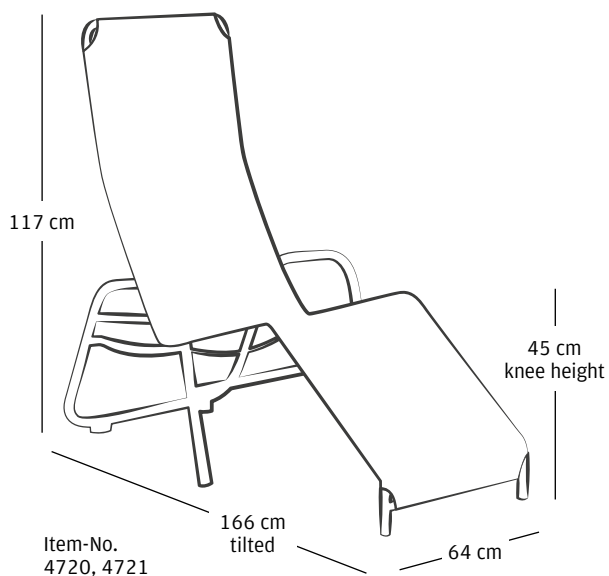
D86



taupe

On request we deliver the complete **Karasek** program

Recommendation: white + D64/D65 · platinum + D67/D74/D86 · coral + D83 · honey + D82/D85 · ruby red + D72



cover color:

- D60
- carbon
- D61
- bordeaux
- D63
- blue
- D64
- yellow/white stripes
- D65
- white
- D69
- black
- D70
- ocean blue
- D71
- copper
- D72
- ruby red
- D74
- olive
- D75
- crema
- D79
- grey
- D81
- lemon yellow
- D82
- honey
- D83
- coral
- D84
- cherry red
- D85
- amber
- D86
- taupe

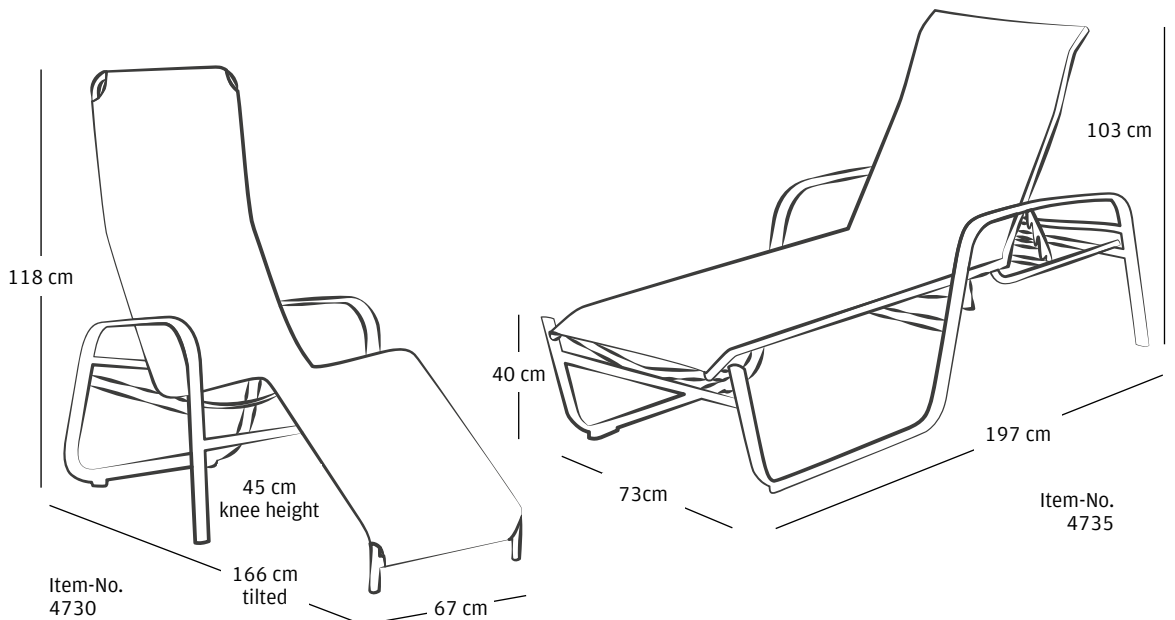
frame color:

- white
- blue grey
- champagne
- copper
- grey metallic
- ocean blue
- silver
- ruby red
- platinum
- reed green
- coral
- honey
- lemon yellow



Florida Tilting Lounger, silver with cover D86

**Recommendation:** white + D64/D65/D66 · blue-grey + D79 · champagne + D75 · copper + D71 · grey-metallic + D60/D75/D85 ocean blue + D70 · silver + D61/D74/D86 · ruby red + D72 · platinum + D63/D69/D84 · reedgreen + D86 coral + D83 · honey + D82 · lemon yellow + D81



## Florida

These loungers are characterised by the wide aluminium profile tube. The cover with hard-wearing KARATEX fabric is reinforced in the seat area. It dries quickly when wet and is comfortable and breathable in hot weather. Easy to clean with garden hose and soapy water.


- Folding joints with plastic bearings, no friction and no risk of corrosion
- Simple, space-saving storage
- Can support loads of up to 150 kg

Neck cushion item number 4759, see page 105, not included in price.

### Florida Tilting Lounger

Base made of aluminium, basket made of steel. Galvanised and cavity-protected. Ideal for wet areas of indoor pools. Changeable cover.


Bed surface approx. 195 × 51 cm, weight: 8.9 kg

1  frame color: as desired, cover color: as desired Item-No. 4730

### Florida Stacking Lounger


Made of aluminium. With extra wide bed surface. Very high tilt resistance. Head section can be adjusted. Also suitable for brine baths.

Bed surface approx. 195 × 60 cm. Seat height approx. 40 cm.

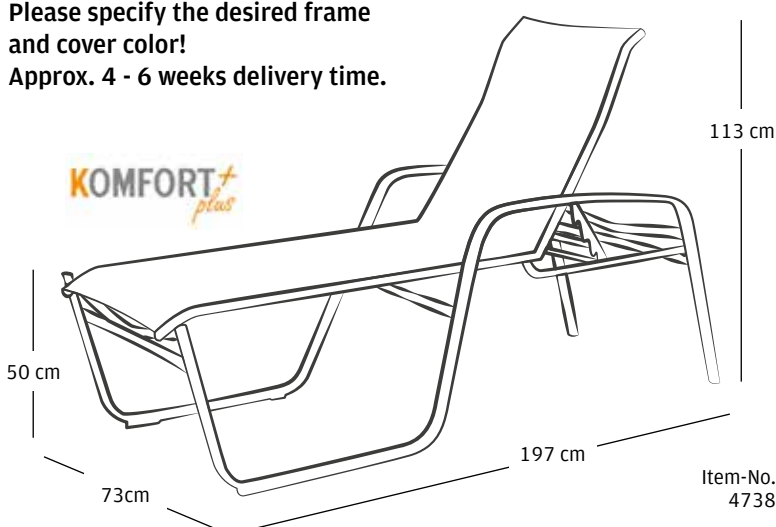
2  frame color: as desired, cover color: as desired Item-No. 4735

as above, but raised seat height. Particularly suitable for senior citizens and nursing homes.

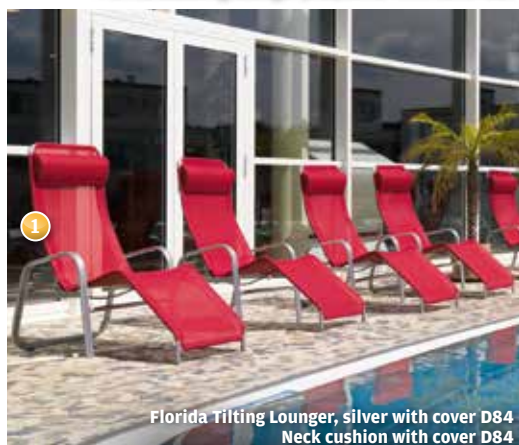
Bed surface approx. 195 × 60 cm. Seat height approx. 50 cm.

3  frame color: as desired, cover color: as desired Item-No. 4738

Please specify the desired frame and cover color!  
Approx. 4 - 6 weeks delivery time.






Prices for larger quantities upon request.



On request we deliver the complete **Karasek** program



item description	properties	item number	unit price	from 3 pieces	from 10 pieces	from 25 pieces	from 50 pieces
1 Florida Tilting Lounger		4730					
2 Florida Stacking Lounger		4735					
3 Florida Stacking Lounger Plus		4738					

All prices apply only to industry, trade, craft and commerce and are subject to VAT ex warehouse. No minimum quantity surcharge.

## California TOP



The highest quality materials are used to produce this elegant lounger. The seat basket is foldable. The cover is made of hard-wearing and easy-care KARATEX fabric.

No restrictions on use. Suitable for indoor, outdoor and wet areas as well as the brine bath.

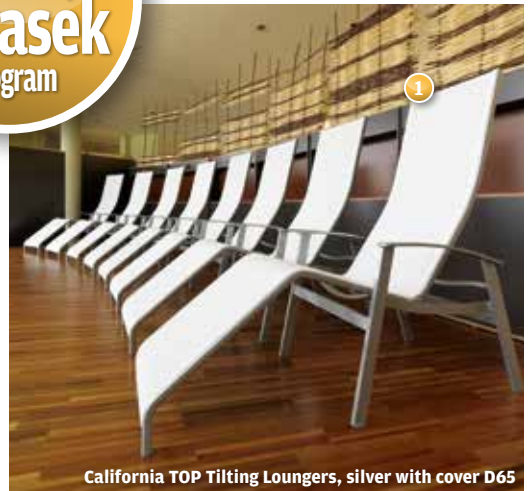
- Frame and seat basket made of aluminium
- Can support loads of up to 150 kg

Neck cushion item number 4759, see page 105, not included in price.

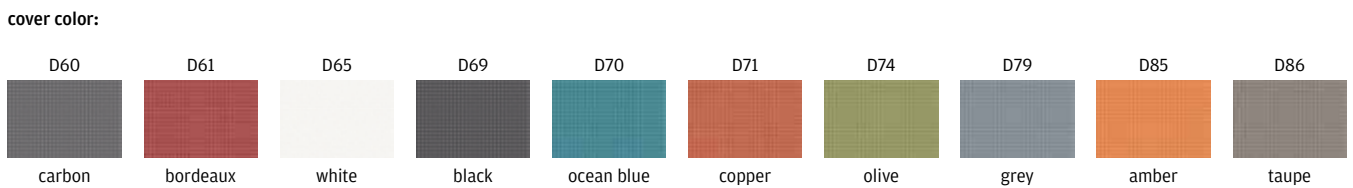
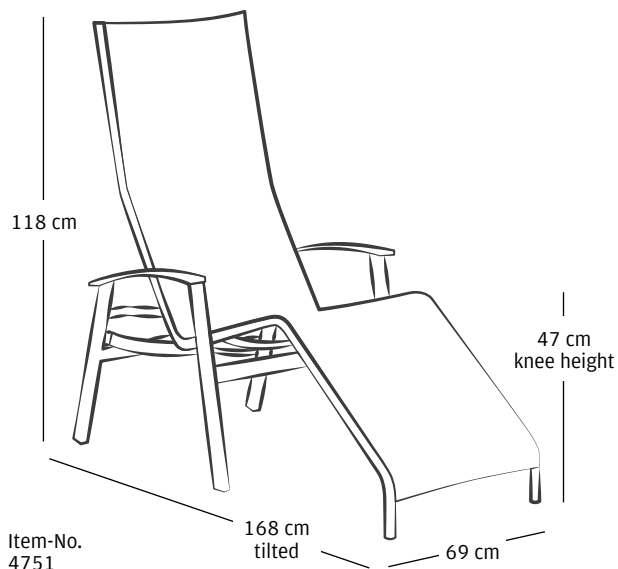
Bed surface approx. 195 × 51 cm. weight: 12 kg

  frame color: as desired, cover color: as desired Item-No. 4751

**Please specify the desired frame and cover color!**  
Approx. 4 - 6 weeks delivery time.





On request we deliver the complete **Karasek** program



**Recommendation:** grey metallic + D60/D61/D85 · silver + D66/D74/D86 · blue grey + D65/D79 · copper + D69/D71 · ocean blue + D70

Prices for larger quantities upon request.

item description	properties	item number	unit price	from 3 pieces	from 10 pieces	from 25 pieces	from 50 pieces
 California TOP Tilting Lounger		4751					

All prices apply only to industry, trade, craft and commerce and are subject to VAT ex warehouse. No minimum quantity surcharge.



Caribic Stacking Lounger, silver with cover D69

Caribic Stacking Lounger, silver with cover D69  
Neck cushion with cover D69Caribic Stacking Lounger, silver with cover D69  
Neck cushion with cover D69

# Karasek

OUTDOOR LIVING

## Caribic

Made of pure aluminium, the model is bead-welded and therefore particularly stable. The good stackability allows space-saving storage. The lounger can be used in brine areas without any problems. The cover is made of KARATEX fabric.

- ideal in unsupervised quiet rooms
- no joints - no wear
- can support loads of up to 150 kg

Neck cushion item number 4759 not included in price.

① frame color: as desired, cover color: as desired

Item-No. 4758

## Neck Cushion for higher lying comfort

The cushion fits all loungers from Karasek. The filling is made of "dryfeel®" foam, which allows a large part of the moisture to pass through, e.g. when it rains, and quickly removes the remaining residual moisture.

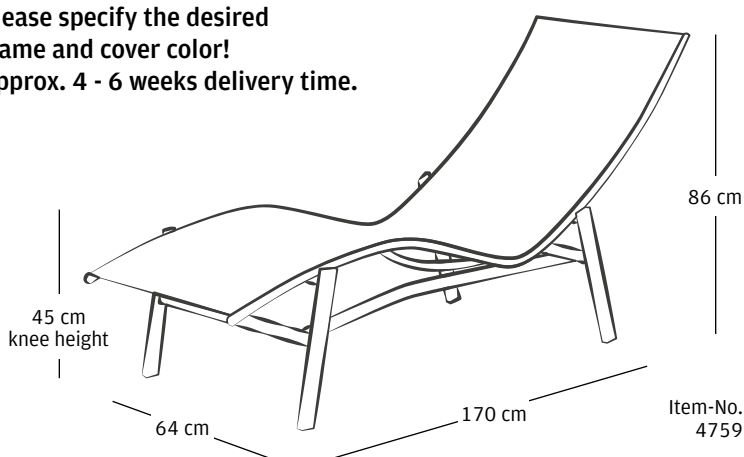
Adjustment is by means of velcro straps and a securing strap on the back. Can be ordered in all cover colors of the Karasek loungers.

**Approx. dimensions:** L × W × H: 47 × 19 × 6 cm. weight: 300 g.

② cover color: as desired

Item-No. 4759

Please specify the desired  
frame and cover color!  
Approx. 4 - 6 weeks delivery time.

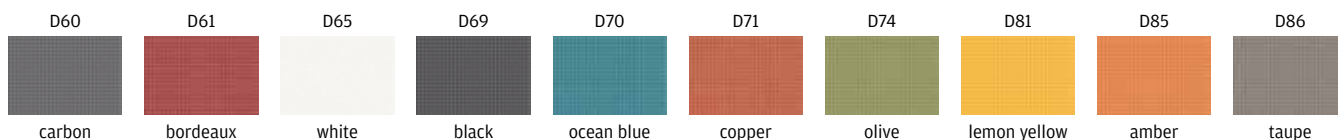


Item-No.  
4759

frame color:



cover color:



**Recommendation:** grey metallic + D60/D85 · silver + D61/D74/D86 · carbon + D69/D85 · copper + D71 · ocean blue + D70 · reed green + D86 · lemon yellow + D65/D66/D81

item description	properties	item number	unit price	from 3 pieces	from 10 pieces	from 25 pieces	from 50 pieces
① Caribic Stacking Lounger		4758					
② Neck Cushion		4759					

All prices apply only to industry, trade, craft and commerce and are subject to VAT ex warehouse. No minimum quantity surcharge.

Prices for larger quantities upon request.



## Brasil

The elegant aluminium lounger impresses with its striking lines. The KARATEX fabric ensures excellent comfort and easy care. The headrest can be adjusted.

- simple, space-saving storage
- can support loads of up to 150 kg


Neck cushion item number 4759, see page 105, not included in price.

### Brasil Stacking Lounger

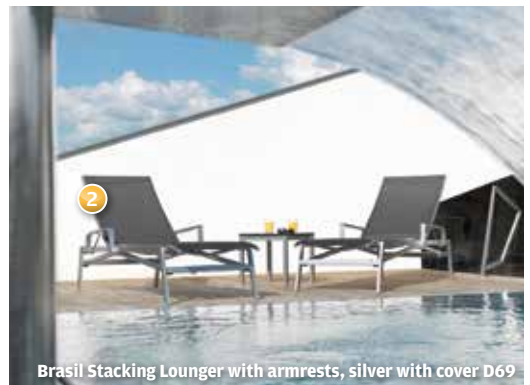
- 1  without armrests Item-No. 4775
- 2  with armrests made of aluminium Item-No. 4776

### Brasil Rolling Lounger Plus

as above, but with 50 cm lying height. The "Lift & Go" principle prevents unintentional rolling away. Particularly suitable for senior citizens and nursing homes. Stackable.

- 3  with armrests made of aluminium Item-No. 4777

**Please specify the desired frame and cover color!**  
Approx. 4 - 6 weeks delivery time.



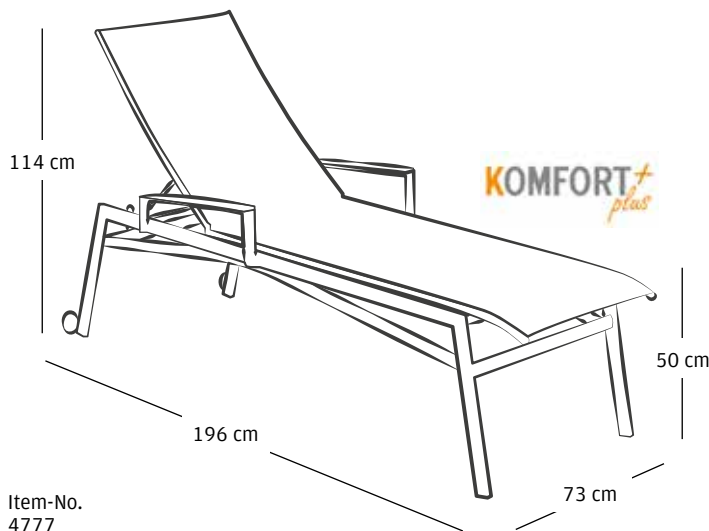
Brasil Stacking Lounger with armrests, silver with cover D69












Brasil Stacking Lounger & Stacking Lounger Plus with armrests, silver with cover D86, neck cushion with cover D86



Brasil Stacking Lounger without armrests, silver with cover D86



Prices for larger quantities upon request.

item description	properties	item number	unit price	from 3 pieces	from 10 pieces	from 25 pieces	from 50 pieces
1 <b>Brasil Stacking Lounger, without armrests</b>	  	4775					
2 <b>Brasil Stacking Lounger, with armrests</b>	  	4776					
3 <b>Brasil Stacking Lounger Plus, with armrests</b>	  	4777					

All prices apply only to industry, trade, craft and commerce and are subject to VAT ex warehouse. No minimum quantity surcharge.





frame color:



cover color:

D60



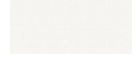
carbon

D61



bordeaux

D65



white

D69



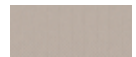
black

D74



olive

D75



crema

D86

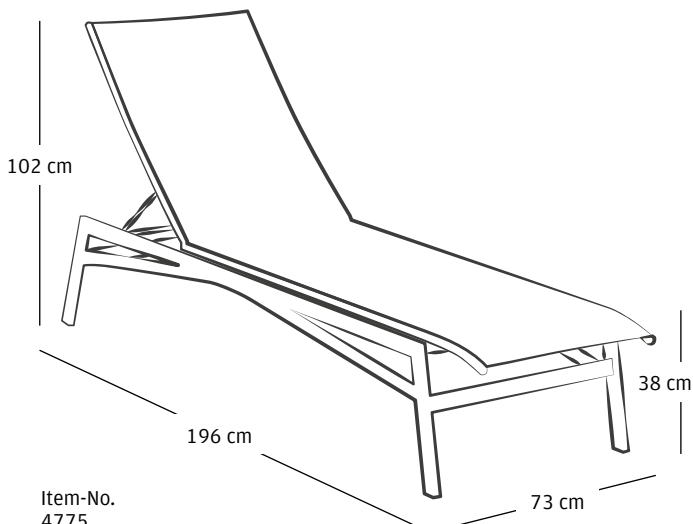


taupe

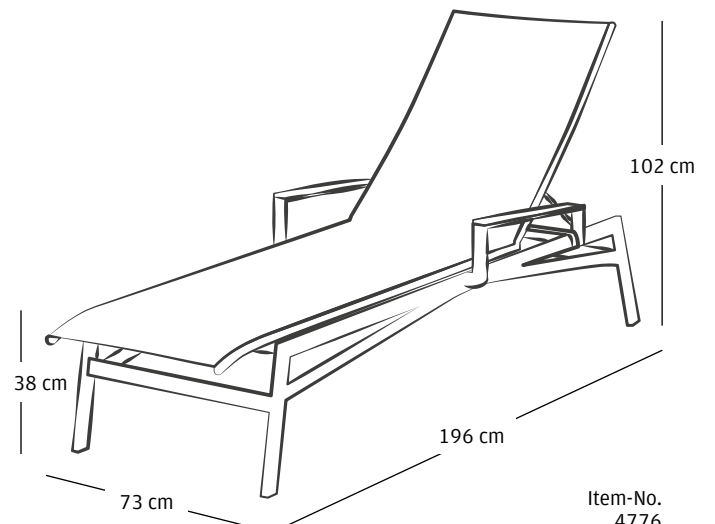
On request we deliver the complete **Karasek** program

Brasil Stacking Lounger with armrests, silver with cover D61

Recommendation: grey metallic + D60/D74/D75 · silver + D61/D65/D69/D86



Item-No. 4775



Item-No. 4776

# Karasek

OUTDOOR LIVING

## Atlanta

A Rolling lounger with simple and clear lines. The head section can be adjusted.

Stable despite larger bed surface. The "Lift & Go" principle enables comfortable manoeuvring after slight lifting and prevents unintentional rolling away.

- track-welded aluminium
- cover made of weatherproof and easy-care KARATEX fabric
- can support loads of up to 150 kg

Neck cushion item number 4759, see page 105, not included in price.

  frame color: as desired, cover color: as desired Item-No. 4778

**Please specify the desired frame and cover color!**  
Approx. 4 - 6 weeks delivery time.



Atlanta Rolling Lounger, grey met. with cover D86

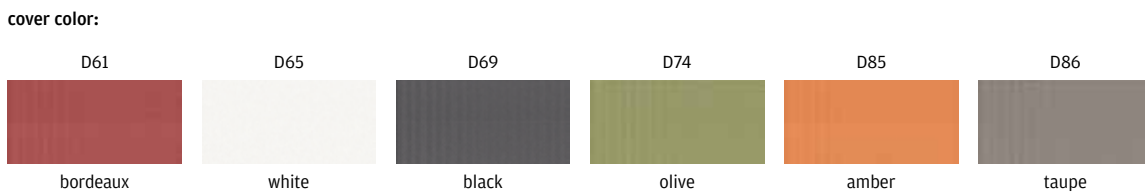
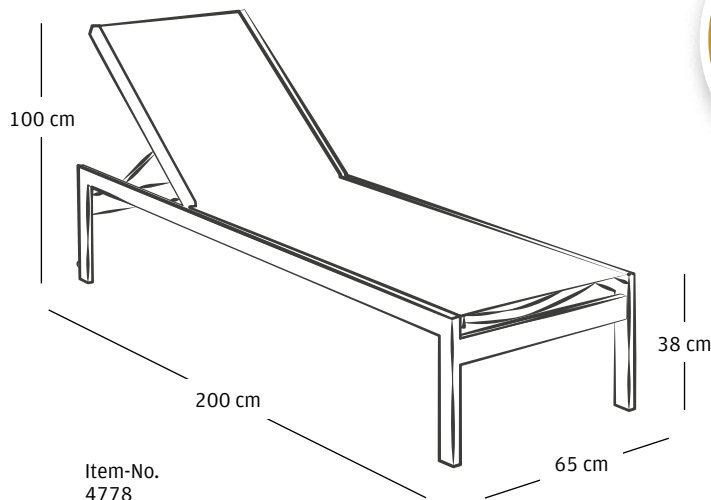


Atlanta Rolling Lounger, silver with cover D86





Atlanta Rolling Lounger, silver with cover D86

On request we deliver the complete **Karasek** program



**Recommendation:** grey metallic + D61/D65/D66/D69/D74/D85/D86 · silver + D61/D65/D66/D69/D74/D85/D86

Prices for larger quantities upon request.

item description	properties	item number	unit price	from 3 pieces	from 10 pieces	from 25 pieces	from 50 pieces
 Atlanta Rollliege		4778					

All prices apply only to industry, trade, craft and commerce and are subject to VAT ex warehouse. No minimum quantity surcharge.

## Relax Lounger ÉNERGIE Batyline® DUO

The relax lounger allows optimal rest due to the positioning of the legs slightly above the heart. The lumbar spine is in a neutral position, the back is relieved, breathing calms down, blood circulates better and the legs are lighter.



The lounger is easy to clean and quickly finds its place in, among others, social-medical centers, SPA or thermal baths.

- various adjustment possibilities
- comfortable, lightweight, foldable, compact and robust
- revolutionary mounting with elastomer clips: perfect ergonomics, firm comfort and excellent back support
- solid and practical cover Batyline® DUO: UV resistant, very tear resistant, breathable, easy to clean
- removable, adjustable head cushion

Tubular steel structure  $\varnothing$  20 mm. weight: 7.8 kg.

Approx. dimensions flat: L x H x D: 71 x 96 x 17.5 cm.

Approx. dimensions set up: L x H x D: 71 x 113 x 83 cm.

  **NEW** frame: black, cover: storm grey

Item-No. 1012



Relax Lounger ÉNERGIE  
Batyline® DUO



Relax Lounger ÉNERGIE Batyline® DUO



MULTI  
POSITION

ACIER  
STEEL

$\varnothing$  20  
mm



ANTI-UV

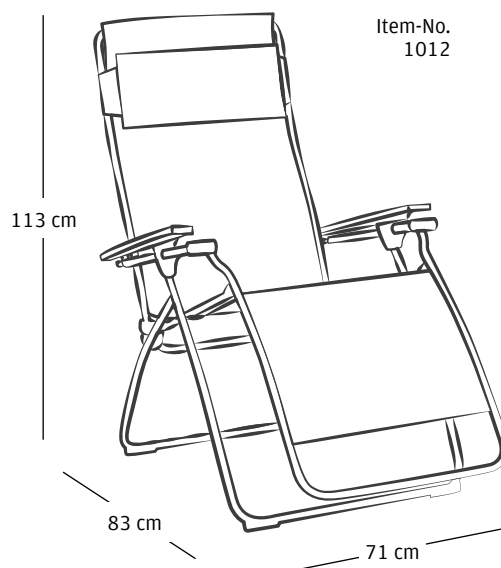
frame color:

black

cover color:

Batyline® DUO

storm grey



Item-No.  
1012



Prices for larger quantities upon request.

item description

item number

unit price

from 3 pieces

from 10 pieces

from 25 pieces

from 50 pieces



Relax Lounger ÉNERGIE Batyline® DUO

1012

All prices apply only to industry, trade, craft and commerce and are subject to VAT ex warehouse. No minimum quantity surcharge.

cover color:

frame color:



Item-No.  
2072

tortora,  
with frame color tortora



Item-No.  
2090-1

anthracite,  
w/ frame color anthracite



Item-No.  
2070

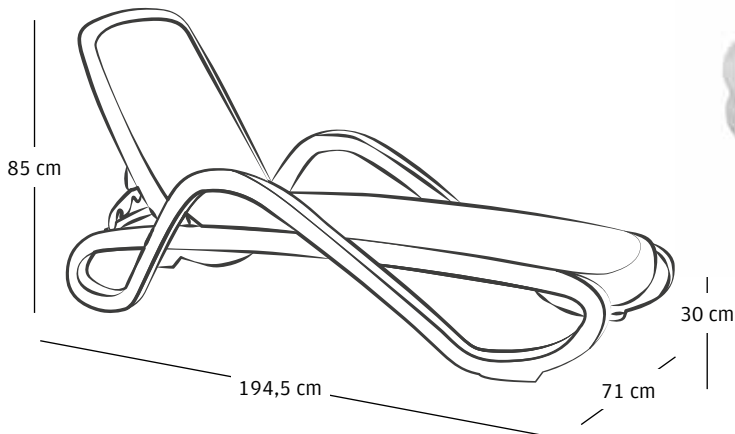
blue,  
with frame color white



**Top  
all-plastic  
furniture series  
with soft cover**  
you do not need  
a cushion!

Wellness Lounger Alfa, anthracite with cover anthracite

stackable up to 15 pieces



Item-No.  
2072, 2080, 2070, 2090-1

# NARDI

YOUR OUTDOOR LIVING

## Wellness Lounger Alfa with soft cover and armrests


High quality, solid colored plastic lounger for year-round indoor and outdoor use. Especially for commercial use. Due to the cover, this lounger can be used without additional support. 4-way adjustable back section.

- with 2 castors for easy transport
- with changeable soft cover
- flat lying surface possible
- loadable up to 500 kg with distributed load

Approx. dimensions: L × W × H: 194.5 × 71 × 85 cm.

Seat height: 30 cm. weight: 14 kg

①  frame: tortora, cover: tortora Item-No. 2072

②  **NEW** frame: anthracite, cover: anthracite Item-No. 2090-1

③  frame: white, cover: blue Item-No. 2070


matching "Rodi" side table on page 117.

## Lounger Cover

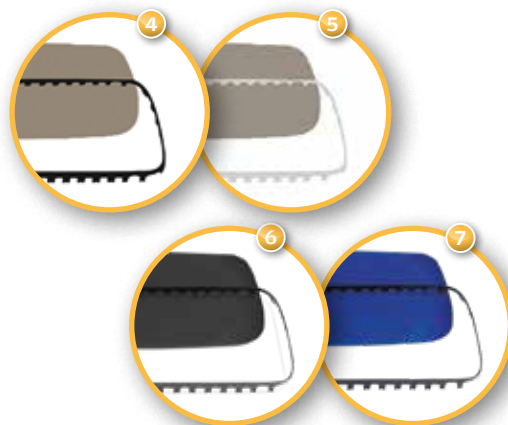
Replacement covers for wellness loungers Alfa and Omega.

④  tortora, with black frame Item-No. 2074-1

⑤  tortora, with white frame Item-No. 2074-2

⑥  **NEU** anthracite, with black frame Item-No. 2090-3

⑦  blue, with black frame Item-No. 2071



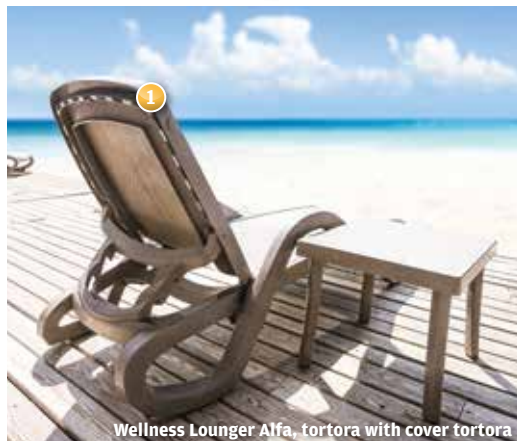
Prices for larger quantities upon request.

item description	frame	cover	item number	unit price	from 5 pieces	from 15 pieces	from 30 pieces
① Wellness Lounger "Alfa"	tortora	tortora	2072				
②	anthracite	anthracite	2090-1				
③	white	blue	2070				
④ Lounger Cover for Wellness Loungers "Alfa" & "Omega"	black	tortora	2074-1				
⑤	white	tortora	2074-2				
⑥	black	anthracite	2090-3				
⑦	black	blue	2071				

All prices apply only to industry, trade, craft and commerce and are subject to VAT ex warehouse. No minimum quantity surcharge.



Wellness Lounger Alfa, white with cover blue



Wellness Lounger Alfa, tortora with cover tortora



Wellness Lounger Alfa, white with cover blue  
© Courtesy of Tropical Islands Germany

# NARDI

YOUR OUTDOOR LIVING

## Wellness Lounger Omega without armrest and with raised seat

High-quality, solid-colored plastic lounger for year-round use indoors and outdoors. Especially for commercial use. Due to the cover, this lounger can be used without additional cushion. 4-way adjustable back section.

The Wellness Lounger Omega has no armrests and is equipped with a raised seat/bed surface of 38 cm.

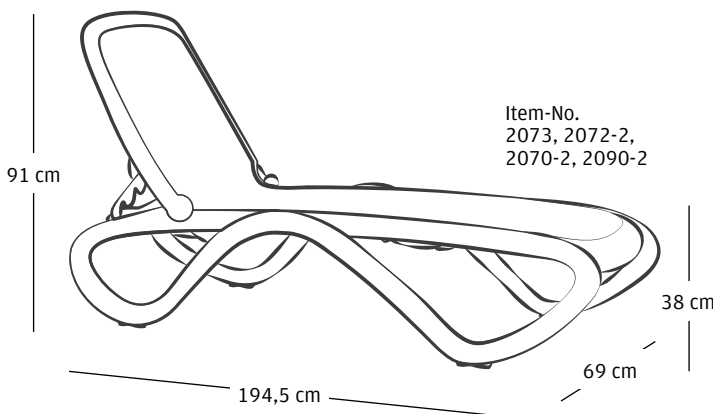
- with 2 castors for easy transport
- with changeable soft cover
- flat lying surface possible
- loadable up to 500 kg with distributed load
- stackable up to 15 pieces

**Approx. dimensions:** L × W × H: 194.5 × 69 × 91 cm.

Seat height: 38 cm. Weight: 14.3 kg

1	frame: white, cover: tortora	Item-No. 2073
2	frame: tortora, cover: tortora	Item-No. 2072-2
3	frame: weiß, cover: blau	Item-No. 2070-2

Matching replacement covers on the previous pages.  
Matching side table "Rodi" on page 117.



frame color:			tortora, with frame color white		tortora, with frame color tortora		blue, with frame color white	
				Item-No. 2073		Item-No. 2072-2		Item-No. 2070-2

Prices for larger quantities upon request.

item description	frame	cover	item number	unit price	from 5 pieces	from 15 pieces	from 30 pieces
1	white	tortora	2073				
2	tortora	tortora	2072-2				
3	white	blue	2070-2				

All prices apply only to industry, trade, craft and commerce and are subject to VAT ex warehouse. No minimum quantity surcharge.



Tropico Plastic Lounger, white



Tropico Plastic Lounger, white

# NARDI

YOUR OUTDOOR LIVING

## Tropico Plastic Lounger with raised seat

This easy-care lounger made of solid plastic is characterised by a higher sitting or lying surface, which is 38 cm and makes it easier to get up and lie down. 4-way adjustable backrest.

- with 2 castors for easy transport
- tubular structure with non-slip foot caps and wheels
- weather and chemical resistant
- 3 years guarantee on breaking strength

**Approx. dimensions:** L × W × H: 194.5 × 69 × 91 cm.

Seat height: 38 cm. Weight: 15.1 kg

①  white

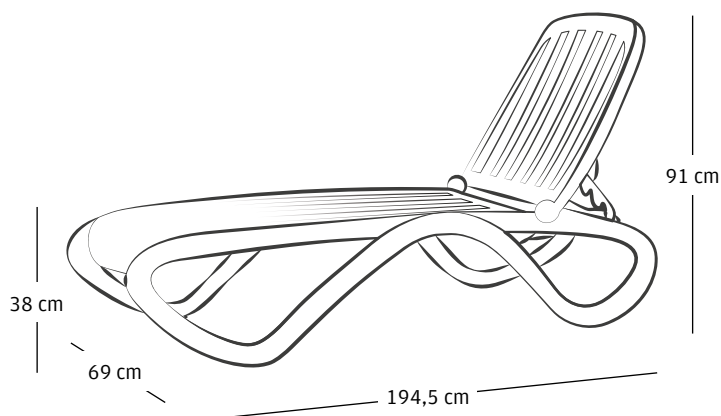
Item-No. 2085

②  tortora

Item-No. 2086

Matching cushions from page 122.

stackable



Item-No.  
2085, 2086

frame color:



Item-No.  
2085



Item-No.  
2086

Prices for larger quantities upon request.

item description	color	item number	unit price	from 5 pieces	from 15 pieces	from 30 pieces
① Plastic Lounger "Tropico"	white	2085				
	tortora	2086				

All prices apply only to industry, trade, craft and commerce and are subject to VAT ex warehouse. No minimum quantity surcharge.

# stamp

## Capriccio Plastic Lounger tried and tested for years

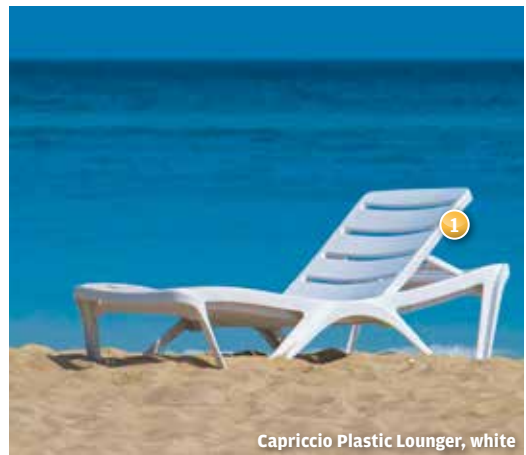
Easy-care all-plastic lounger made of pure polypropylene for year-round indoor and outdoor use. Especially for commercial use. The ideal lounger for all leisure areas. 4-way adjustable backrest.

- weather and chemical resistant
- low weight
- 3 years guarantee on breaking strength

Approx. dim.: L × W × H: 188 × 67 × 30 cm. Weight: 10.9 kg

  white Item-No. 2050

Matching cushions from page 122.



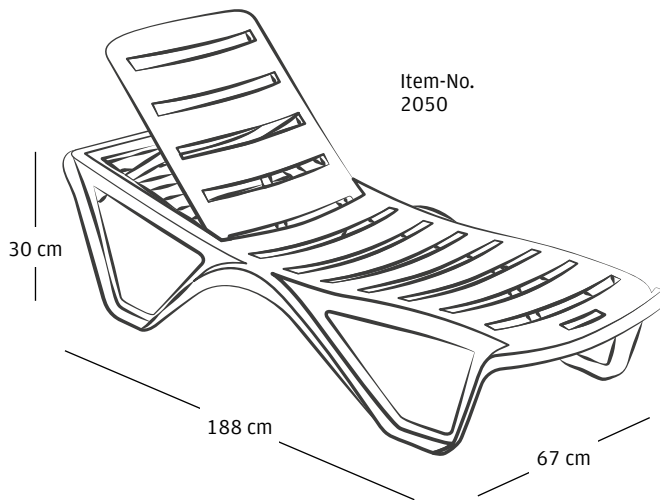
Capriccio Plastic Lounger, white



Capriccio Plastic Lounger, white




Capriccio Plastic Lounger, white



stackable



Prices for larger quantities upon request.

item description	color	item number	unit price	from 5 pieces	from 15 pieces	from 30 pieces
 Plastic Lounger "Capriccio"	white	2050				

All prices apply only to industry, trade, craft and commerce and are subject to VAT ex warehouse. No minimum quantity surcharge.

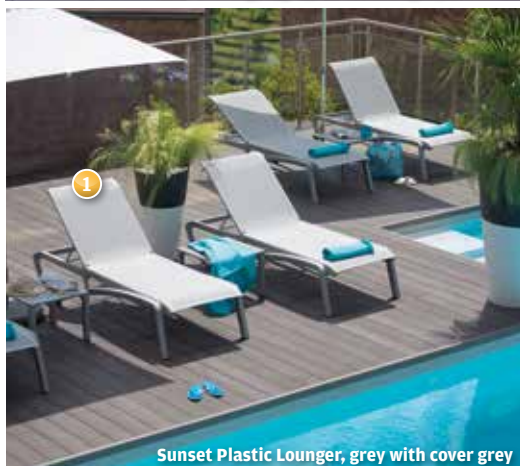




Sunset Plastic Lounger, bronze with cover cognac



Sunset Plastic Lounger, grey with cover grey, stacked



Sunset Plastic Lounger, grey with cover grey



## Sunset Sun Lounger

This lounger is made of a unique alloy of resin, glass fibre and aluminium particles. This material composition makes the lounger extremely resistant. It remains stable up to 180 kg. The fabric, which is protected against UV radiation, has been treated with bacteria-repellent agents.

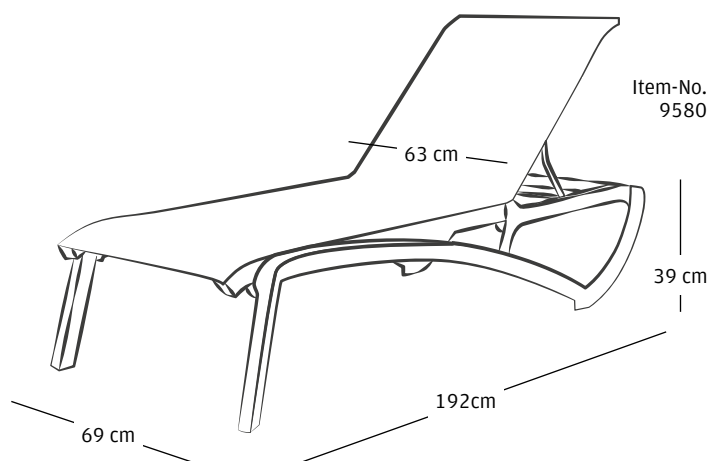
- high-quality, shape-retaining textylene fabric
- 5-way adjustable backrest
- easy to transport thanks to integrated, discreet castors
- UV and weather resistant

Approx. dimensions: L × W × H: 192 × 78 × 39 cm. Weight: 17 kg

①		frame: grey, cover: grey	Item-No. 9580-3
②		frame: bronze, cover: cognac	Item-No. 9580-4
③		frame: white, cover: beige-mottled	Item-No. 9580-7
④		frame: volcanic black, cover: grey-mottled	Item-No. 9580-9

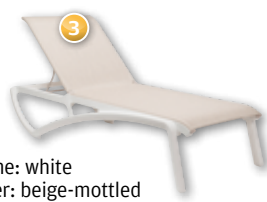
All color combinations are available from a minimum order quantity of 8 pieces with delivery time.

You can request replacement covers from us if required.



frame color:


 frame: grey,  
cover: grey

 frame: bronze  
cover: cognac

 frame: white  
cover: beige-mottled

 frame: volcanic black  
cover: grey-mottled

Prices for larger quantities upon request.

item description	frame	cover	item number	from 8 pieces	from 16 pieces	from 24 pieces
① ② ③ ④ Plastic Lounger "Sunset"	grey	grey	9580-3			
	bronze	cognac	9580-4			
	white	beige-mottled	9580-7			
	volcanic black	grey-mottled	9580-9			

All prices apply only to industry, trade, craft and commerce and are subject to VAT ex warehouse. No minimum quantity surcharge.



## 4-Seasons Outdoor Beanbag

The special filling material (styrofoam) is free of harmful substances, environmentally friendly and sustainable in filling volume.

The fabric is weatherproof and can remain outdoors all year round. From +40 °C to -20 °C it can withstand any temperature.

In bright sunlight, the color may become slightly lighter.

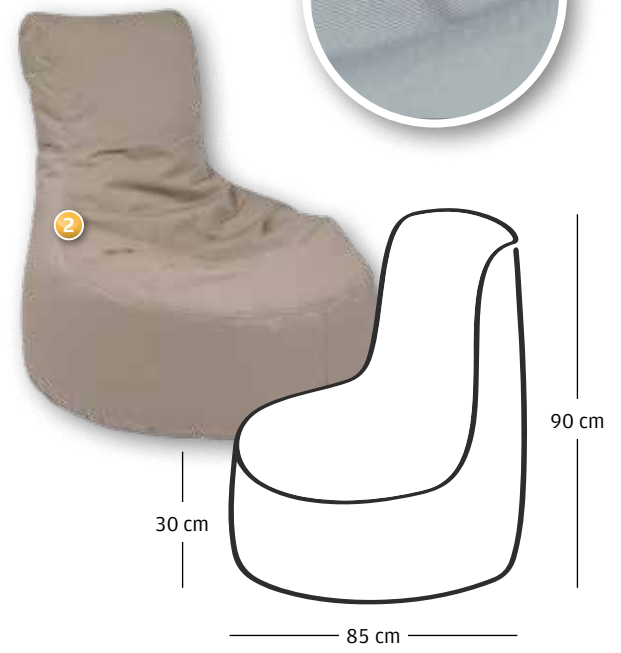
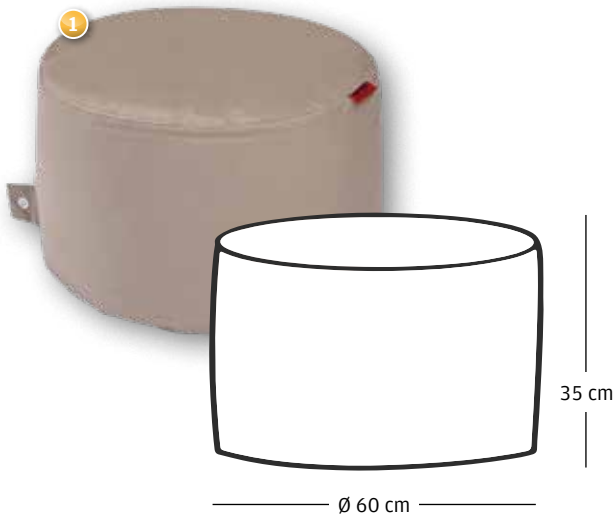
### Rock

Small, round and practical: A round beanbag for outdoors that can be used as a table, stool or to put your feet up.

The height is adapted to all OUTBAG beanbags, so it can be optimally combined with them.



Item-No. 7420 +color



### Slope

The beanbag has a curved shape that optimally adapts to the body and offers a high level of seating comfort.

With extra wide seat and stabilising backrest. Practical and lightweight - easy to move and store.



Item-No. 7421 +color

item description	item number	unit price	from 3 pieces	from 10 pieces	from 25 pieces	from 50 pieces
1 Outdoor Beanbag Rock Plus	every color 7420+color					
2 Outdoor Beanbag Slope Plus	every color 7421+color					

All prices apply only to industry, trade, craft and commerce and are subject to VAT ex warehouse. No minimum quantity surcharge.



## Aluminium Table "Sunset"

Practical weatherproof table made of lacquered aluminum with extra wide slats in a modern look. Simple leg assembly. Universally applicable.

Approx. dim.: L × W × H: 50 × 50 × 37 cm. Weight: 3.8 kg

- 1 volcanic black Item-No. 9581-1
- 2 white Item-No. 9581-2
- 3 bronze Item-No. 9581-3
- 4 grey Item-No. 9581-4



matching  
tables  
for your  
loungers



## Side Table "Rodi"

Ideal side table made of solid plastic. Delivery is disassembled, only the legs are to be inserted.

Universally applicable.

Approx. dimensions: L × W × H: 46 × 46 × 40 cm.

- 5 white Item-No. 2076
- 6 anthracite Item-No. 2078
- 7 tortora Item-No. 2079

**NARDI**  
YOUR OUTDOOR LIVING

item description	color	item number	unit price	from 3 pieces	from 10 pieces	from 25 pieces	from 50 pieces
1 2 3 4 Aluminium Table "Sunset"	volcanic black	9581-1					
	white	9581-2					
	bronze	9581-3					
	grey	9581-4					
5 6 7 Side Table "Rodi"	white	2076					
	anthracite	2078					
	tortora	2079					

All prices apply only to industry, trade, craft and commerce and are subject to VAT ex warehouse. No minimum quantity surcharge.



### Side Table "Step"

Robust and weather-resistant table made of fibreglass-reinforced polypropylene. The perforated table top prevents water accumulation.

Easy to dismantle and space-saving to store. Weighted frame, tilt-resistant, with non-slip feet.

Supplied with two table legs of different heights for use as a dining table or as a side table or coffee table, respectively.

- 1 anthracite Item-No. 2097-2
- 2 tortora Item-No. 2097-3

### Leatherette Chair Cushion for Net chair

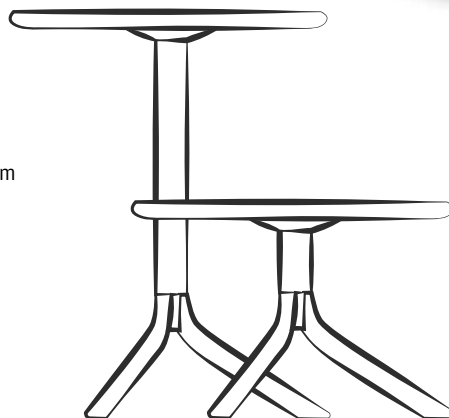
Chair cushion for Net chair with leatherette cover. Rounded back side. Color sample on page 121.

Approx. dimension: L × W × H: 45.5 × 48 × 3 cm.

- 3 anthracite Item-No. 0226-1
- 4 light brown Item-No. 0226-2



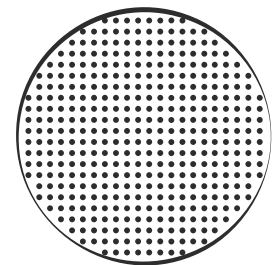
76,5 cm



40 cm

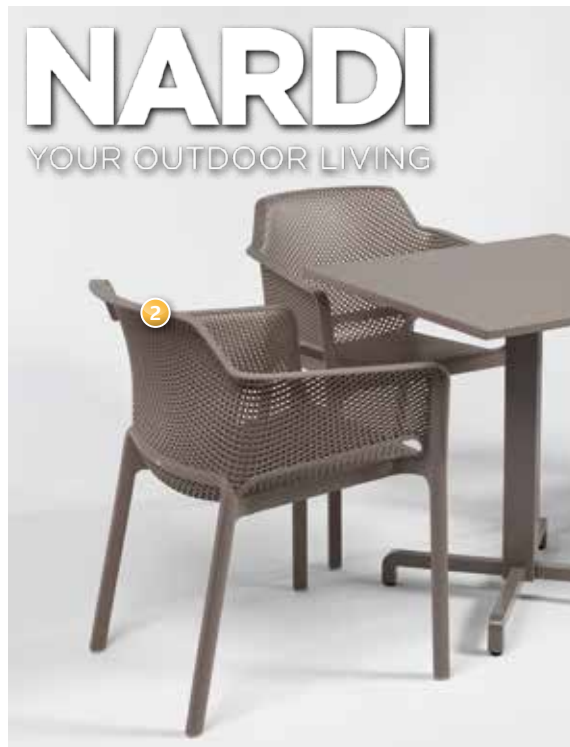


60,5 cm



item description	color	item number	unit price	from 3 pieces	from 10 pieces	from 25 pieces	from 50 pieces
1 <b>Step, Side Table</b>	anthracite	2097-2					
	tortora	2097-3					
3 <b>Leatherette Chair Cushion</b>	anthracite	0226-1					
	light brown	0226-2					

All prices apply only to industry, trade, craft and commerce and are subject to VAT ex warehouse. No minimum quantity surcharge.




**NARDI**  
YOUR OUTDOOR LIVING

## Chair "Net"

Functionality and durability are combined here with comfort and modern design. The stackable chairs are made of high-quality plastic with fibreglass reinforcement.

Chair feet with non-slip rubber. Ergonomic shape for pleasant sitting comfort.

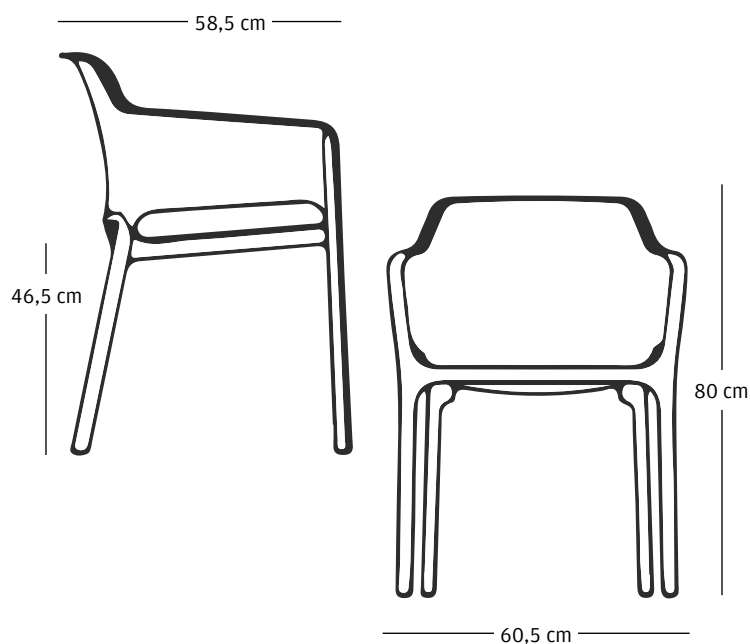
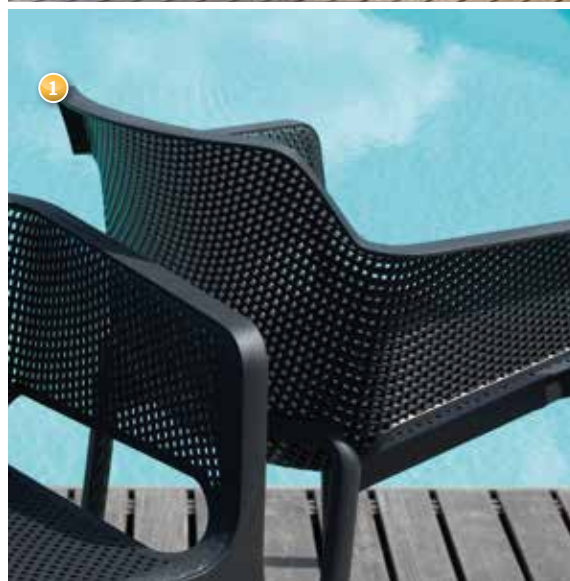
**Approx. dimensions:** H × W × D: 80 × 60.5 × 58.5 cm.  
Seat height 46.5 cm, weight 4.1 kg.

1  anthracite

Item-No. 2096-2

2  tortora

Item-No. 2096-4



item description	color	item number	unit price	from 3 pieces	from 10 pieces	from 25 pieces	from 50 pieces
1 <b>Chair "Net"</b>	anthracite	2096-2					
2 <b>Chair "Net"</b>	tortora	2096-4					

All prices apply only to industry, trade, craft and commerce and are subject to VAT ex warehouse. No minimum quantity surcharge.



## Sunset Deck Chair

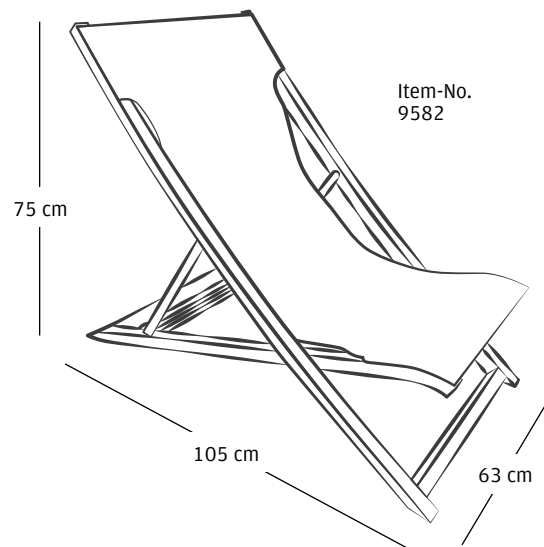
This Deck Chair is made of a unique alloy of resin, glass fibre and aluminium particles. This material composition makes it extremely resistant. It can withstand a load of up to 180 kg.

The fabric, which is protected against UV radiation, has been treated with bacteria-repellent products. There are extra comfort zones at the foot and head ends. Changeable cover.

- high-quality, shape-retaining textylene fabric
- 5-way adjustable backrest
- UV and weather resistant

Approx. dim.: L × W × H: 105 × 63 × 75 cm. Weight: 9.5 kg.

- |   |  |                                     |                 |
|---|--|-------------------------------------|-----------------|
| 1 |  | frame: volcanic black, cover: grey  | Item-No. 9582-1 |
| 2 |  | frame: grey, cover: grey            | Item-No. 9582-2 |
| 3 |  | frame: white, cover: white          | Item-No. 9582-3 |
| 4 |  | frame: bronze, cover: brown-mottled | Item-No. 9582-4 |



Sunset Deck Chair, white with cover white



Sunset Deck Chair, bronze with cover brown-mottled



Sunset Deck Chair, white with cover white



item description	frame	cover	item number	unit price	from 8 pieces	from 16 pieces	from 24 pieces
1 Deck Chair "Sunset"	volcanic black	grey	9582-1				
2	grey	grey	9582-2				
3	white	white	9582-3				
4	bronze	brown-mottled	9582-4				

All prices apply only to industry, trade, craft and commerce and are subject to VAT ex warehouse. No minimum quantity surcharge.

# Leatherette

- disinfectable and easy to clean

## Discover the variety of leatherette

The following specifications apply to all leatherette articles on the following pages.

Technical data of our leatherette articles:

- EN 1021 Part 1 + 2
- MVSS 302
- Oeko-Tex Standard 100
- EN ISO 10993-5 Biocompatible
- EN ISO 10993-10 Epicutaneous test
- Phthalate-free
- DIN EN 71-3

Additional special properties:

- excellent stain protection
- antimicrobial, antibacterial, antifungal
- excellent abrasion resistance
- saliva and perspiration resistant
- resistant to massage oil, urine, blood, disinfectants
- surface protection against coffee, tea, ketchup, red wine
- easy cleaning with soap and water

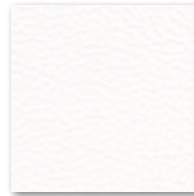
We will gladly send you the original color chart on request.

All colors shown are available with a delivery time of approx. 6 weeks.

We are also happy to supply you with cushions or chair cushions in other sizes and colors.

Would you like to customize your leatherette cushions or neck rolls? Have them embossed according to your wishes.

Contact us, we will be happy to make you a personal offer!



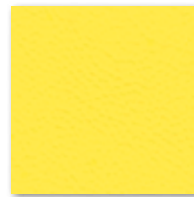
white - 1



cream - 2



light brown - 3



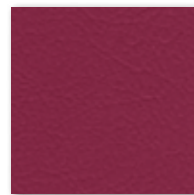
lemon - 4



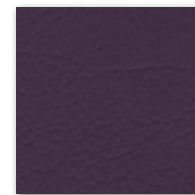
orange - 6



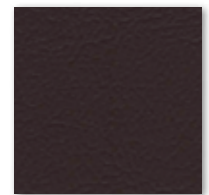
red - 7



lavender - 8



eggplant - 9



chestnut - 10



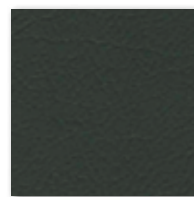
azure - 11



sapphire - 12



kiwi - 13



green - 14



stone - 15



delft - 16



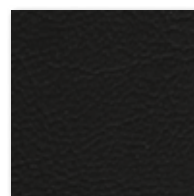
navy - 17



lime - 18



anthracite - 19



black - 20

## Leatherette Cushion with practical cap

One-piece leatherette cover, washable and weather-resistant, therefore also ideal for outdoor use. Upholstery made of VW 35 kg/m<sup>3</sup>, CFC-free.

- long durability, abrasion resistant
- easy to clean, pleasantly soft
- good grip, stretchy
- resistant to body fluids
- resistant to disinfectants

**Approx. dimensions:** L × W × H: 200 × 57 × 5 cm • Kink after 65 cm.


①  color: as desired Item-No. 0282 +color



## Leatherette Cushion suitable for all common loungers

as above, but without cap.


**Approx. dim.:** L × W × H: 184 × 54 × 3 cm

②  color: as desired Item-No. 0210 +color

## Leatherette Cushion with kink

as above, but without cap and with kink.

**Approx. dim.:** L × W × H: 200 × 60 × 5 cm • Kink after 73 cm.

③  color: as desired Item-No. 0280 +color

easy to clean and disinfectable



## Leatherette Neck Roll

With double elastic band.

**Approx. dimensions:** L × W × H: 54 × 16 × 7.5 cm.

④  color: as desired Item-No. 0230 +color

For detailed material properties see page 121.  
Delivery time for all leatherette products apr. 6 weeks.

item description	color	item number	unit price	from 3 pieces	from 10 pieces	from 25 pieces	from 50 pieces
① Leatherette Cushion with Cap	every color	0282					
② Leatherette Cushion	every color	0210					
③ Leatherette Cushion with Kink	every color	0280					
④ Leatherette Neck Roll	every color	0230					

All prices apply only to industry, trade, craft and commerce and are subject to VAT ex warehouse. No minimum quantity surcharge.